

Controller Series 47



Technical Data

Model	Series 47
Power	AC 220V / 3A
Frequency	50 / 60 Hz
Protection	Fuse
Installation	Desktop , Wall-Mounted
Function	Auto / Manual
Weight	2 kg
Temperature	5~50°C

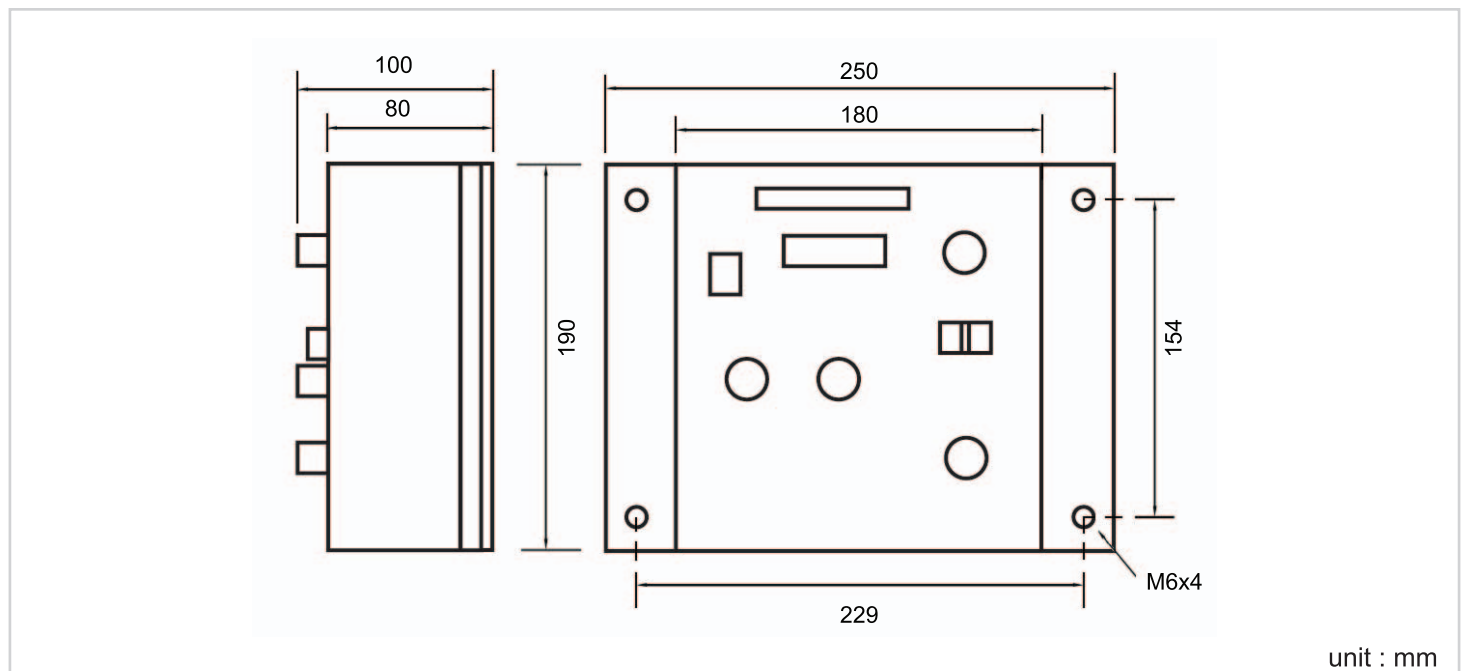
TOUGU DENKI Controller Series 47 is applied to the hydraulic web guiding system control. There are two installations: Desktop and Wall-Mounted, it is suitable for different machines.

With different modes : Auto and Manual, it can be chosen for the requirements.



Controller Series 47 is installed on Rewinding Machine

Dimensions



unit : mm